

Sunuprise Technology Ltd.

10/100Base SMD Transformer

PartNumber: S16F07

Page:1/2

- Compliant with IEEE 802.3 standard,
- RoHS compliant.
- Operating temperature range : 0°C to +70°C.
- Storage temperature range: -20°C to +125°C

Electrical Specifications @ 25°C

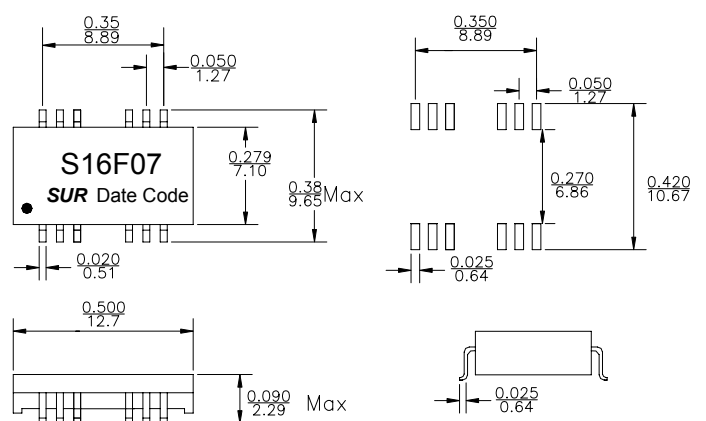
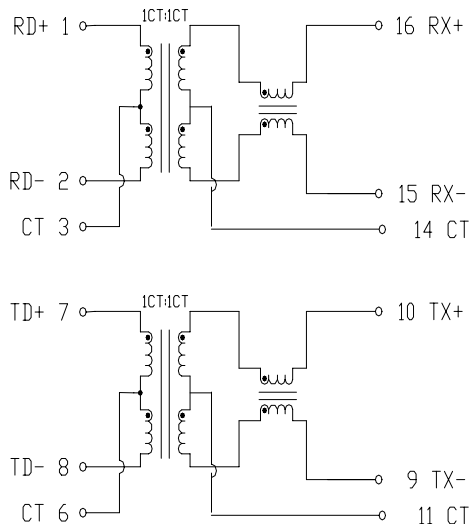
Part Number	Turns Ratio (±5%)		OCL(μH Min) @100KHz/0.1V	Insertion Loss (dB Max) 1-100MHz	HI-POT (Vrms)
	TX	RX			
S16F07	1CT:1CT	1CT:1CT	350	-0.9	1500

Continue

Part Number	Return Loss (dB Min)			Cross Talk (dB Min)			DCMR (dB Min)		
	30 MHz	60 MHz	80 MHz	30 MHz	60 MHz	100 MHz	30 MHz	50 MHz	100 MHz
S16F07	-16	-12	-11	-50	-45	-40	-35	-33	-20

-Schematics:

Mechanicals:



R0(07/12)

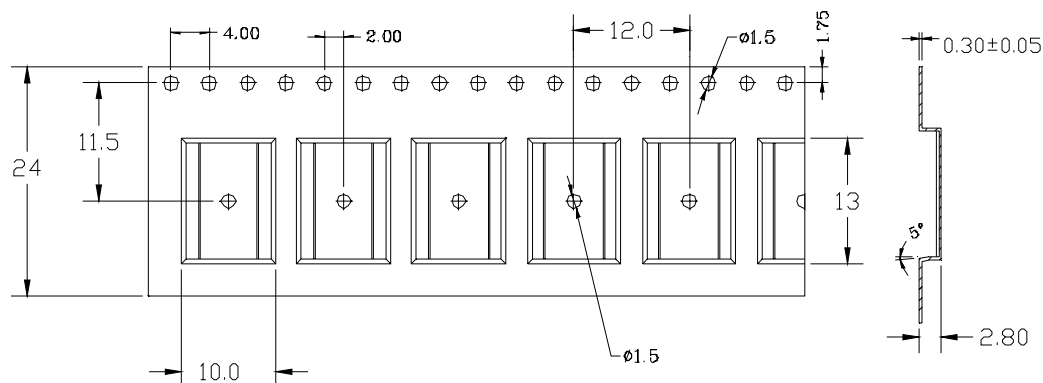
Tel: +86-816-5019526/0-18508164900 E-mail: Johnhubei@163.com

Sunuprise Technology Ltd.

10/100Base SMD Transformer

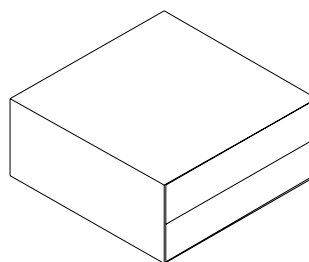
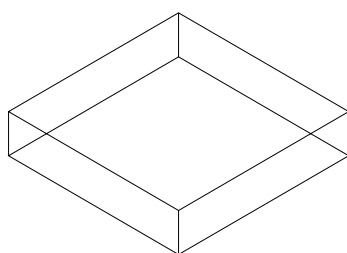
Part Number: S16F07

Page:2/2



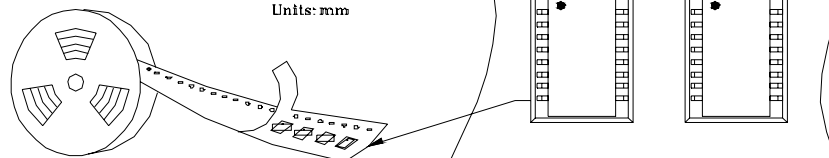
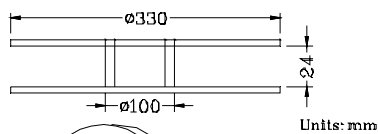
Units: mm Tolerances: ± 0.10

REEL MECHANICAL DIMENSION



INNER CARTON :340m m (L) *340m m (W) *100m m (H)

EXPORT CARTON :360m m (L) *360m m (W) *250m m (H)



1. ONE ROLL:2000PCS
2. INNER CARTON :6000PCS
3. EXPORT CARTON :12000PCS

Tel: +86-816-5019526/0-18508164900 E-mail: Johnhubei@163.com