

Sunuprise Technology Ltd.

10G Base-T Transformer

Part Number: STG24009MP

Page: 1/1

- Compliant with IEEE 802.3af standard.
- RoHS compliant.
- Designing for POE application.
- Operating temperature range : -40°C to +85°C.

Electrical Specifications @ 25°C

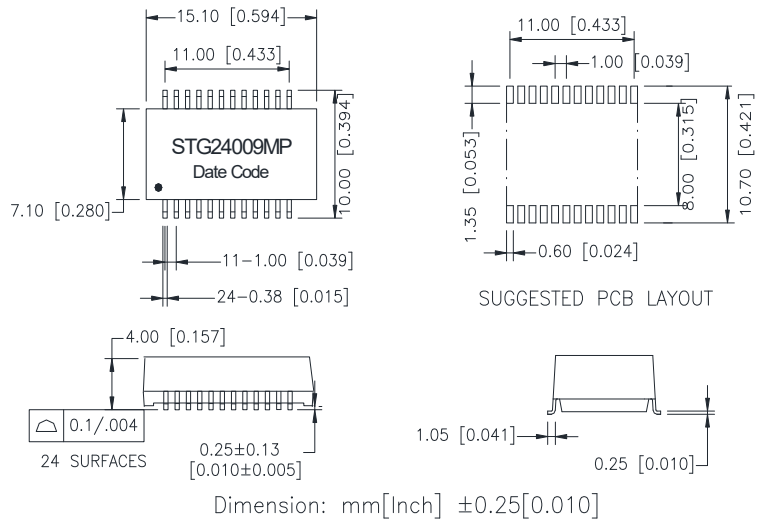
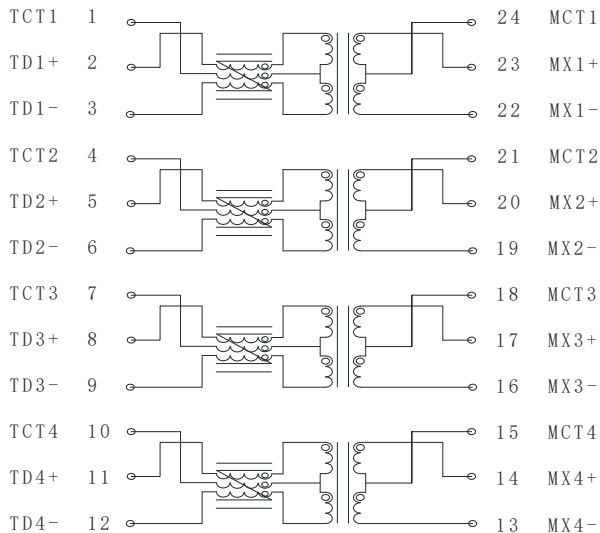
Part Number	Turns Ratio (±5%)		OCL(μH Min) @100KHz/0.1V	Insertion Loss (dB Max)			HI-POT (Vrms)
	TX	RX		1-100MHz	100-300MHz	300-500MHz	
STG24009MP	1CT:1CT	1CT:1CT	120	-1.0	-2.0	-3.0	1500

Continue

Part Number	Return Loss (dB Min)		Cross Talk (dB Min)		DCMR (dB Min)	
	1-100MHz	100-500MHz	1-100MHz	100-500MHz	1-100MHz	100-500MHz
STG24009MP	-20	-20+18*lg(f/100)	-30	-17	-28	-17

Schematics:

Mechanicals:



R0