

Sunuprise Technology Ltd.

10/100/1000Base SMD Transformer

Part Number: SG24601AM

- Compliant with IEEE 802.3 standard.
- RoHS compliant.
- Operating temperature range: -40°C to +85°C.
- Storage temperature range: -40°C to +125°C

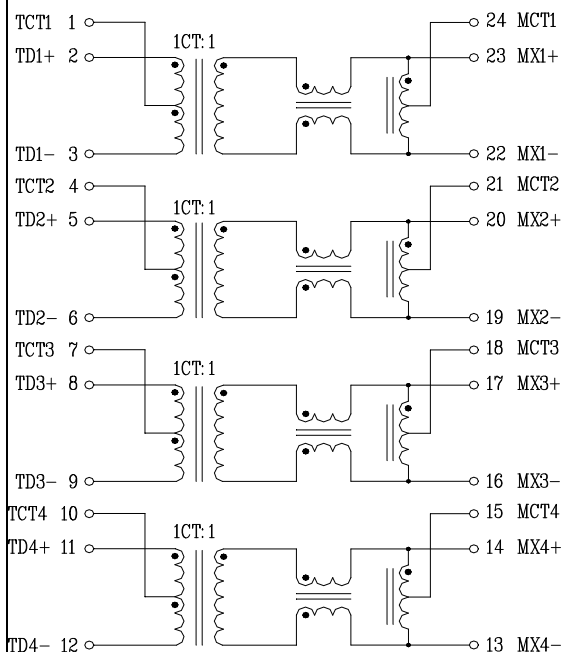
Electrical Specifications @ 25°C

Part Number	Turns Ratio (±2%)		OCL(μH Min) @100KHz/0.1V with 8.0mA DC	Insertion Loss (dB Max) 1-100MHz	HI-POT (Vrms) 1500
	TX	RX			
SG24601AM	1CT:1CT	1CT:1CT	350	-1.2	1500

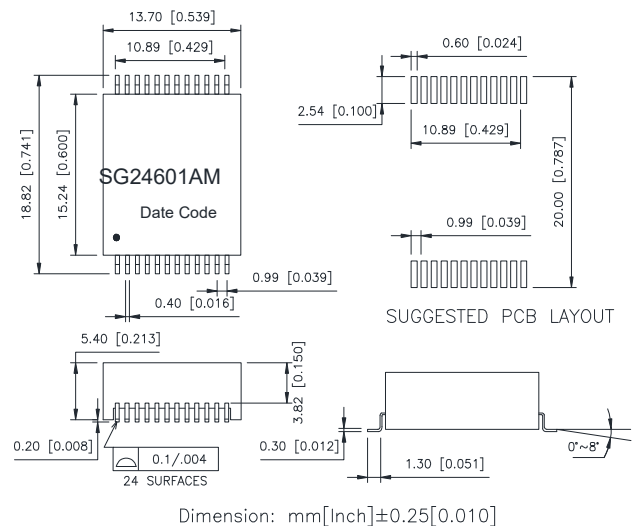
Continue

Part Number	Return Loss (dB Min)				Cross Talk (dB Min)			DCMR (dB Min)	
	1-30 MHz	40 MHz	50 MHz	60-80 MHz	30 MHz	60 MHz	100 MHz	30-60 MHz	60-200 MHz
SG24601AM	-18	-14.4	-13.1	-10	-45	-40	-35	-30	-20

Schematics:



Mechanicals:



Tel: +86-816-5019526/0-18508164900 E-mail: Johnhubei@163.com

Sunuprise Technology Ltd.

--	--

R0(02/20)