

Sunuprise Technology Ltd.

Dual SMD Transformer For T1/E1 application

Part Number:ST16076

Page:1/1

- Designed for T1/E1 application
- 16 Pin SOIC Isolation Modules
- Peak reflow temperature rating 260 °C
- RoHS compliant.
- Operating temperature range : -40°C to +85°C.
- Storage temperature range: -40°C to +85°C

Electrical Specifications @ 25°C

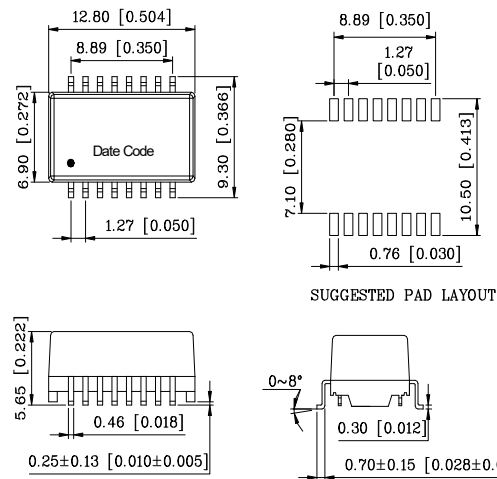
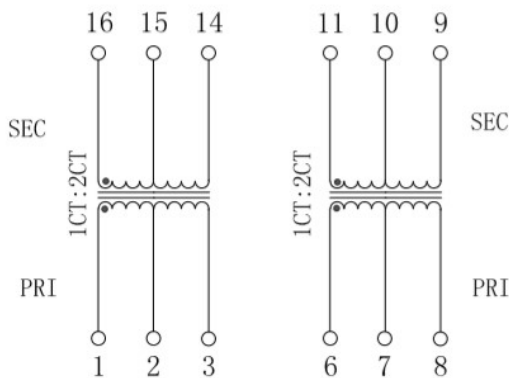
Part Number	Turns Ratio (±5%)		OCL(mH Min) @100KHz/0.05V	LL(uH Max) @100KHz/0.05V
	1-3: 16-14	6-8: 11-9		
ST16076	1CT :2CT	1CT :2CT	1.2	0.6

Continue

Part Number	DCR (Ω Max)	C _{ww} (pF Max)	HI-POT (Vrms)
	Pri		
ST16076	0.7	38	1500

Schematics:

Mechanicals:



Units: mm [Inches] Tolerances: xx.x0±0.25 [0.010]
0.xx±0.05 [0.002]

R0(07/12)

Tel: +86-816-8386139/0-18508164900 E-mail: Johnhubei@163.com