

Sunuprise Technology Ltd.

10/100/1000Base SMD Transformer

PartNumber: SG24701A

Page:1/1

- Compliant with IEEE 802.3 standard,
- RoHS compliant.
- Operating temperature range : 0°C to +70°C.
- Storage temperature range: -20°C to +125°C

Electrical Specifications @ 25°C

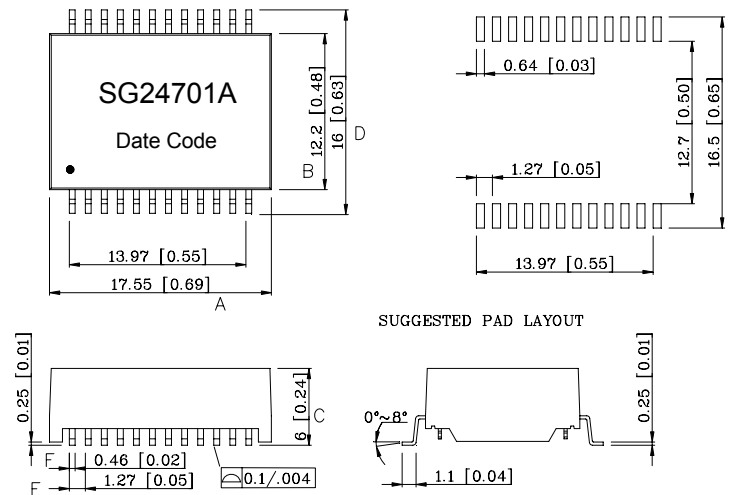
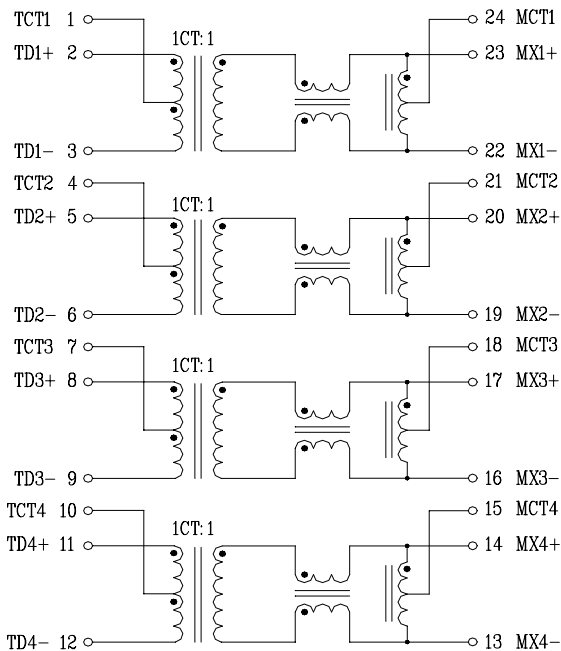
Part Number	Turns Ratio (±5%)		OCL(uH Min) @100KHz/0.1V with 8.0mA DC	Insertion Loss (dB Max)	DCMR (dB Min)		HI-POT (Vrms)
	TX	RX			1-100MHz	1- 60MHz	
SG24701A	1CT:1CT	1CT:1CT	350	-1.0	-37	-28	1500

Continue

Part Number	Return Loss (dB Min)			Cross Talk(dB Min)		Lk(uH Max)@10 0KHz/0.1V	DCR(Ω Max)	Cw(pF Max)@100K Hz/0.1V
	1-30MHz	30-60MHz	60-80MHz	1- 60MHz	60-100MHz			
SG24701A	-18	-14	-12	-40	-35	0.5	0.9	28

Schematics:

Mechanicals:



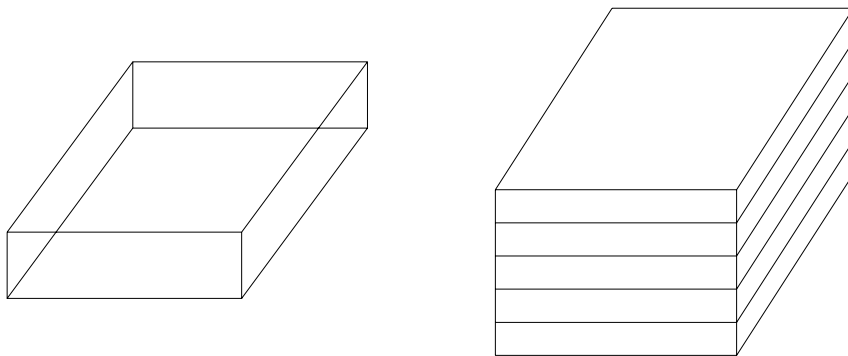
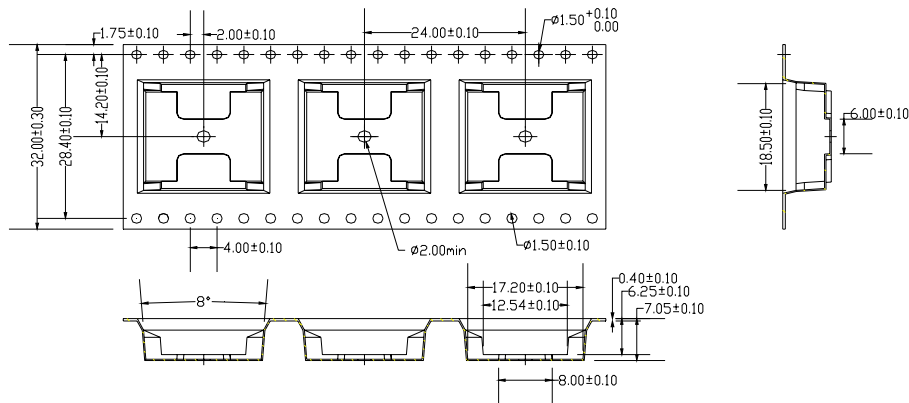
Unless otherwise specified, all tolerances are mm(inch) xx.xx±0.25(0.01)
0.xx±0.05(0.002)

R0(07/12)

Sunuprise Technology Ltd.

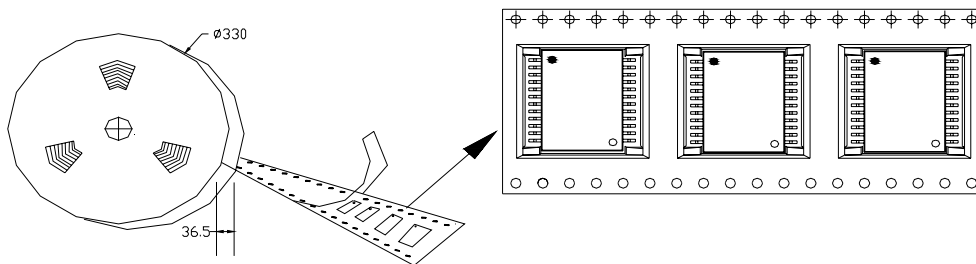
10/100/1000Base SMD Transformer

PartNumber: SG24701A



INNER CARTON: 350mm(L)*350mm(W)*85.0mm(H)

EXPORT CARTON: 380mm(L)*380mm(W)*470mm(H)



- 1、ONEROLL: 350pcs
- 2、TWROLL BOX: 700pcs
- 3、FIVE BOX CARTON: 3500pcs

Tel: +86-816-5019526/0-15908202442 E-mail: Johnhubei@163.com