

Sunuprise Technology Ltd.

10/100/1000Base SMD Transformer

Part Number: SG24N01HMP

- Compliant with IEEE 802.3at standard.
- RoHS compliant.
- Power over Ethernet(PoE) Magnetics,720mA current capability.
- Operating temperature range: -40°C to +85°C.
- Storage temperature range: -40°C to +125°C

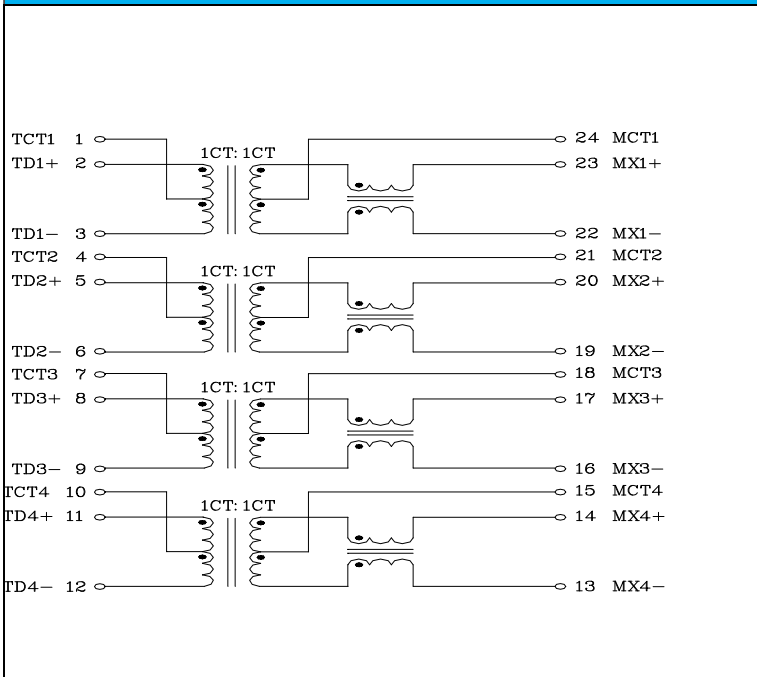
Electrical Specifications @ 25°C

Part Number	Turns Ratio (±2%)		OCL(μH Min) @100KHz/0.1V 8mA DC Bias	Insertion Loss (dB Max)	HI-POT (Vrms)
	TX	RX		1-125MHz	
SG24N01HMP	1CT:1CT	1CT:1CT	350	-2.0	5000

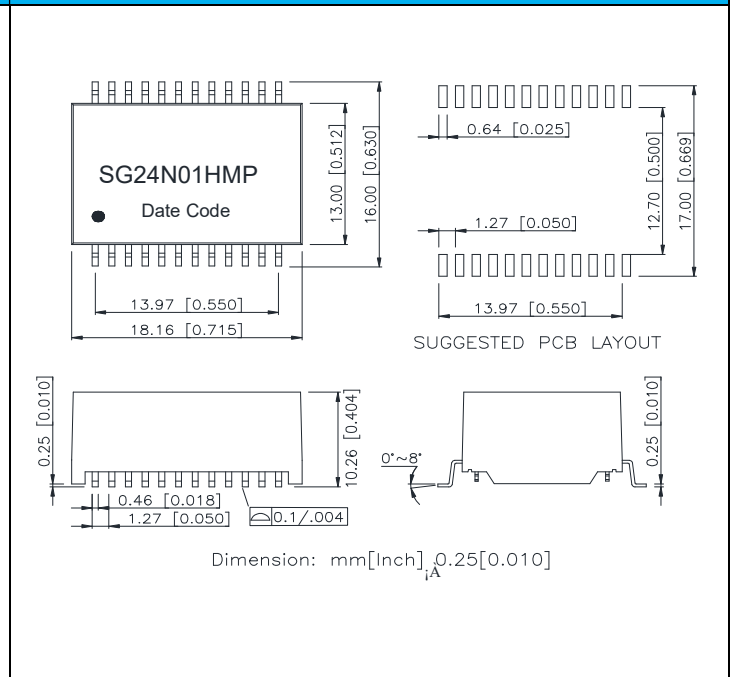
Continue

Part Number	Return Loss (dB Min)				Cross Talk (dB Min)			CMRR (dB Min)		
	1-30 MHz	40 MHz	50 MHz	60-80 MHz	30 MHz	60 MHz	100 MHz	30 MHz	60 MHz	100 MHz
SG24N01HMP	-16	-14	-12	-10	-40	-35	-30	-30	-30	-30

Schematics:



Mechanicals:



R0(09/03)

Tel: +86-816-5019526/0-18508164900 E-mail: Johnhubei@163.com