

Sunuprise Technology Ltd

10/100Base SMD Transformer

Part Number: S16537H3

Page: 1/1

- Compliant with IEEE 802.3 standard.
- RoHS compliant.
- Operating temperature range: 0°C to +70°C.
- Storage temperature range: -25 °C to +125°C

Electrical Specifications @ 25°C

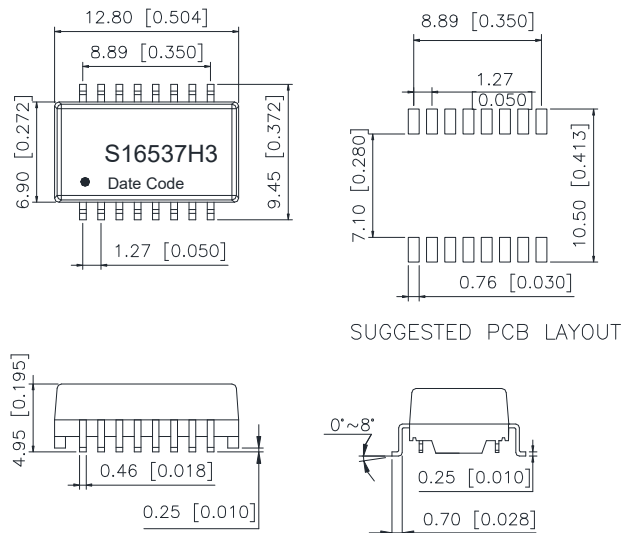
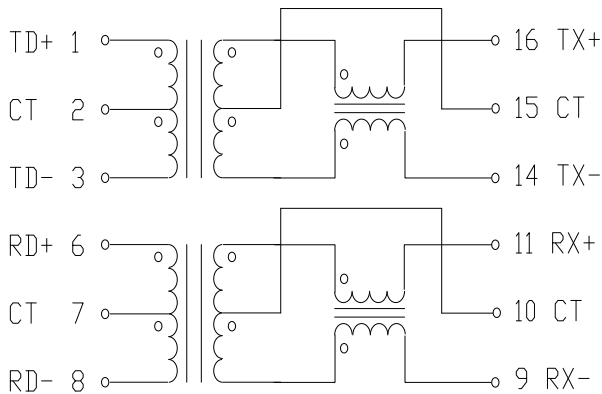
Part Number	Turns Ratio (±5%)		OCL(μH Min) @100KHz/0.1V with 8.0mA DC	Insertion Loss (dB Max) 0.3-100MHz	HI-POT (Vrms) 3000
	TX	RX			
S16537H3	1CT:1CT	1CT:1CT	350	-1.15	3000

Continue

Part Number	Return Loss (dB Min)			Cross Talk (dB Min)		DCMR (dB Min)		
	30MHz	60MHz	80MHz	1-60MHz	60-100MHz	30MHz	60MHz	100MHz
S16537H3	-18	-13	-10	-40	-35	-38	-34	-30

Schematics:

Mechanicals:



Dimension: mm[Inch]±0.25[0.010]

R0(02/26)

Tel: +86-816-8386139/0-18508164900 E-mail: Johnhubei@163.com