

Sunuprise Technology Ltd.

5G SMD Transformer

Part Number: SFG24702MPS

- Compliant with IEEE 802.3bt standard.
- RoHS compliant.
- Power over Ethernet (PoE) Magnetics, 1000mA current capability.
- Pass surge 7KV (differential mode).
- Operating temperature range: -40°C to +110°C.
- Storage temperature range: -40°C to +110°C.

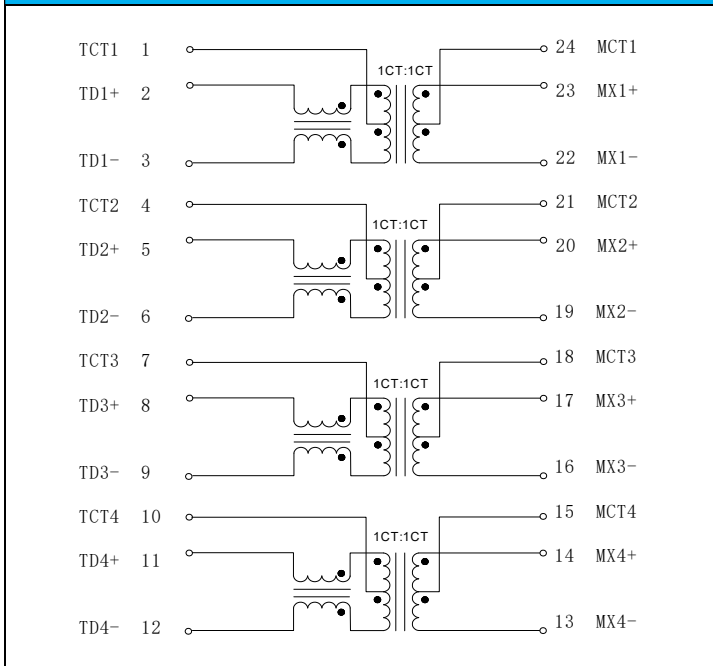
Electrical Specifications @ 25°C

Part Number	Turns Ratio (±2%)		OCL(μH Min) @100KHz/0.1 V	Insertion Loss (dB Max.)		HI-POT (Vrms)
	TX	RX		1-100 MHz	100-250 MHz	
SFG24702MPS	1CT:1CT	1CT:1CT	180	-1.0	-2.0	1500

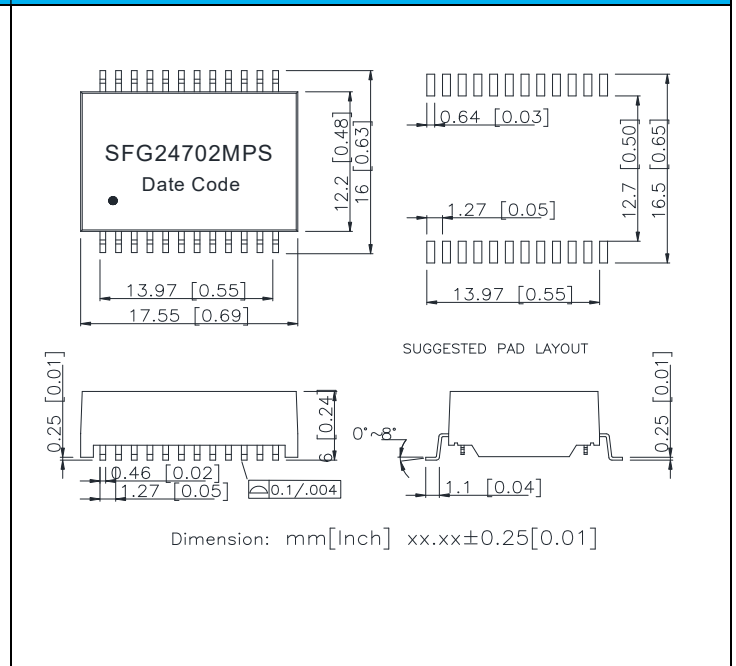
Continue

Part Number	Return Loss (dB Min.)		Cross Talk (dB Min)	DCMR (dB Min)
	1-40 MHz	40-250 MHz		
SFG24702MPS	-16	-16+10*log(f/40)	-30	-30

Schematics:



Mechanicals:



R0

Tel: +86-816-5019526/0-18508164900 E-mail: Johnhubei@163.com