

Sunuprise Technology Ltd.

10/100/1000Base SMD Transformer

Part Number: SG24B11M

- Compliant with IEEE 802.3 standard.
- RoHS compliant.
- Operating temperature range: -40°C to +85°C.
- Storage temperature range: -40°C to +125°C

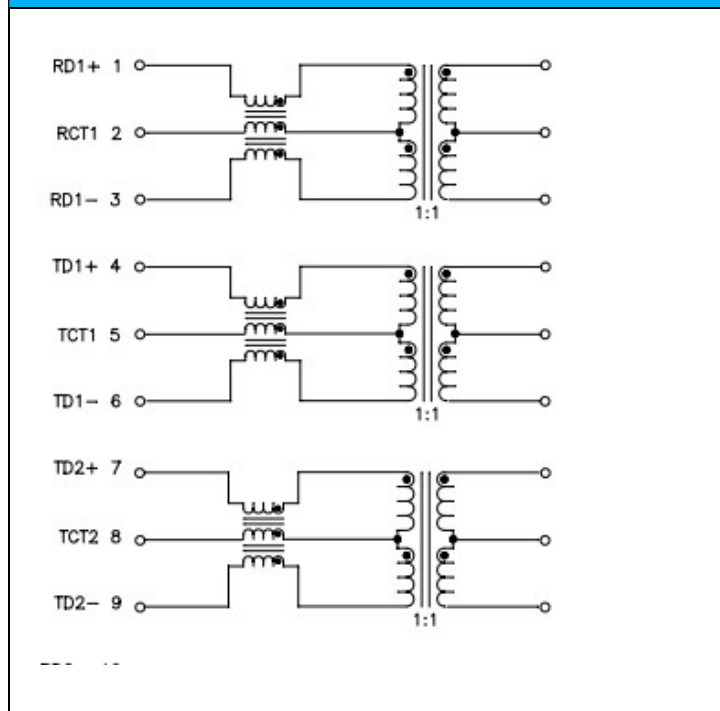
Electrical Specifications @ 25°C

Part Number	Turns Ratio (±2%)		OCL(μH Min) @100KHz/0.1V with 8mA DC	Insertion Loss (dB Max)		HI-POT (Vrms)
	TX	RX		0.3MHz	1-100MHz	
SG24B11M	1CT:1CT	1CT:1CT	350	-1.2	-1.1	1500

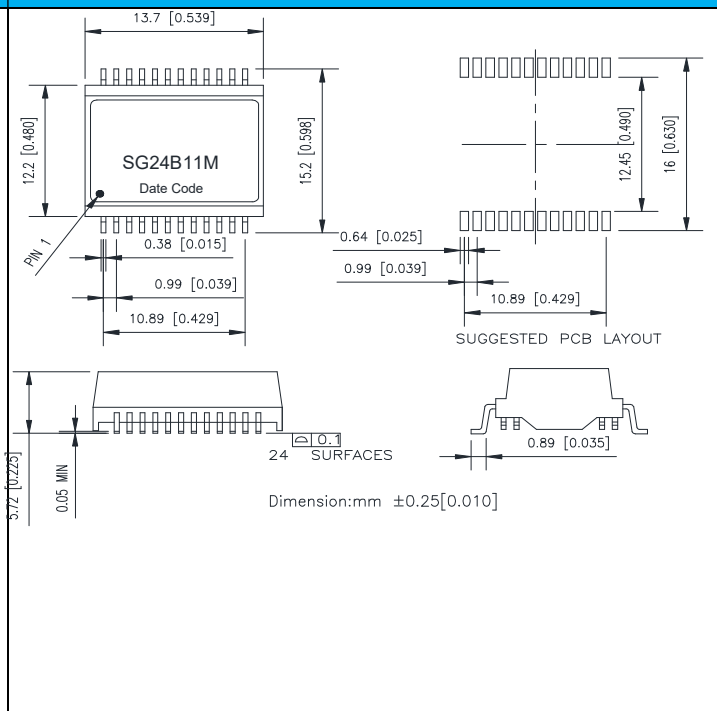
Continue

Part Number	Return Loss (dB Min)					Cross Talk (dB Min)			CMRR (dB Min)		
	1-30 MHz	40 MHz	50 MHz	60-80 MHz	100 MHz	30 MHz	60 MHz	100 MHz	30 MHz	100 MHz	200 MHz
SG24B11M	-18	-14	-12	-10	-10	-43	-37	-33	-30	-25	-15

Schematics:



Mechanicals:



R0(02/18)

Tel: +86-816-5019526/0-18508164900 E-mail: Johnhubei@163.com