

Sunuprise Technology Ltd.

10/100Base SMD Transformer

PartNumber: S16116MP

Page:1/2

- Compliant with IEEE 802.3af standard,
- RoHS compliant.
- Operating temperature range : -40°C to +85°C.
- Storage temperature range: -40°C to +105°C

Electrical Specifications @ 25°C

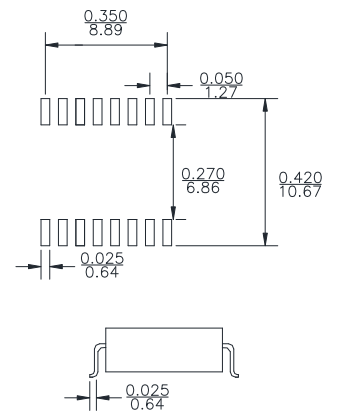
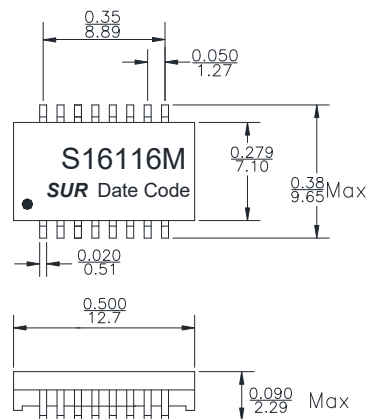
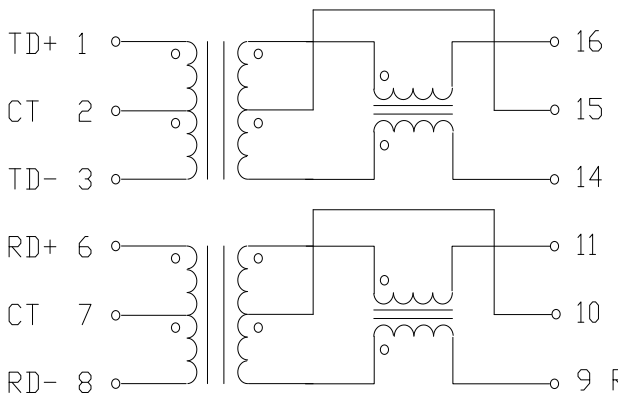
| Part Number | Turns Ratio (±5%) | | OCL(μH Min) @100KHz/0.1V | Insertion Loss (dB Max) 1-100MHz | HI-POT (Vrms) |
|-------------|-------------------|---------|--------------------------|----------------------------------|---------------|
| | TX | RX | | | |
| S16116MP | 1CT:1CT | 1CT:1CT | 350 | -1.10 | 1500 |

Continue

| Part Number | Return Loss (dB Min) | | | | Cross Talk (dB Min) 0.3-100MHz | DCMR (dB Min) | |
|-------------|----------------------|-------|-------|-----------|--------------------------------|---------------|-----------|
| | 0.3-30MHz | 40MHz | 50MHz | 60-80 MHz | | 0.3-60MHz | 60-100MHz |
| S16116MP | -18 | -15.5 | -13.5 | -10 | --38 | -33 | -26 |

Schematics:

Mechanicals:



R0(07/12)

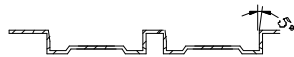
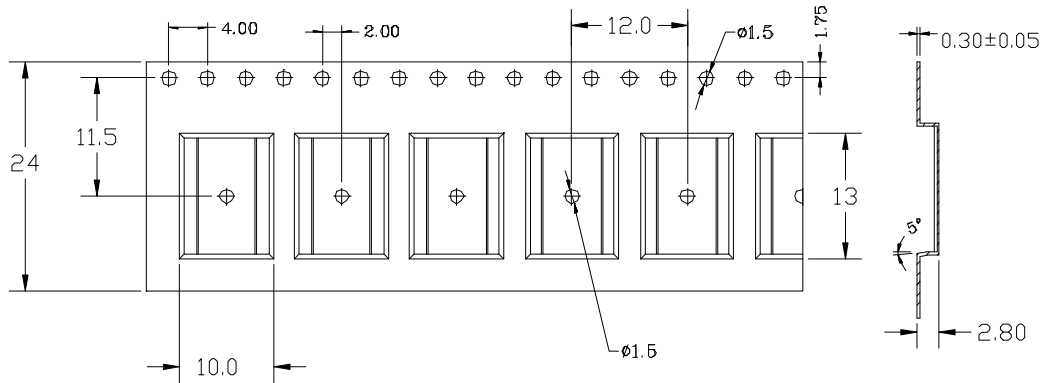
Tel: +86-816-8386139/0-18508164900 E-mail: Johnhubei@163.com

Sunuprise Technology Ltd.

10/100Base SMD Transformer

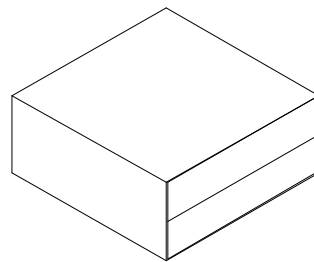
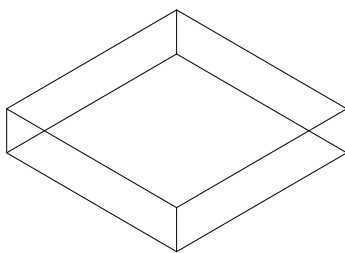
Part Number: S16116M

Page:2/2



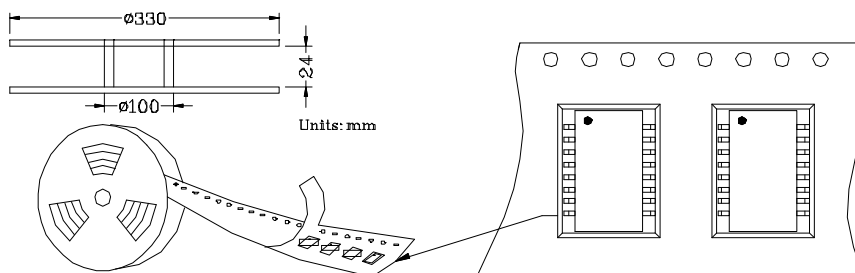
Units: mm Tolerances: ± 0.10

REEL MECHANICAL DIMENSION



INNER CARTON :340m m (L) *340m m (W) *100m m (H)

EXPORT CARTON :360m m (L) *360m m (W) *250m m (H)



1. ONE ROLL:2000PCS
2. INNER CARTON :6000PCS
3. EXPORT CARTON :12000PCS

Tel: +86-816-8386139/0-18508164900 E-mail: Johnhubei@163.com